

RT70 GCC GT-Series Part List for AAS 3rd & 4th order

FIG	KEY	NAME	Service P/NO	LR	Q'ty	2WD HR Crew		4WD Crew		Remark
						M/T	A/T	M/T	A/T	
430	003	WHEEL: STRG	8-97424-087-0		1	●	●	●	●	
430	020	SHROUD: PAD, STRG WHEEL	8-97424-088-1		1	●	●	●	●	
430	083	SCREW: LWR COVER TO WHEEL	0-71240-410-0		2	●	●	●	●	
430	090	COVER ASM: STRG WHEEL, LWR	8-97416-859-2		1	●	●	●	●	
430	103	BEZEL: COVER, SWITCH HOLE	8-97416-857-1		1	●	●	●	●	(A)
430	103	BEZEL: COVER, SWITCH HOLE	8-97416-858-1		1	●	●	●	●	(B)
430	104	SCREW: SWITCH AND BEZEL	0-71240-410-0		4	●	●	●	●	
480	006	CAP: WHEEL	8-98214-687-0		4			●	●	
480	006	CAP: WHEEL	8-98220-295-0		4	●	●			
480	022	WHEEL: DISC, AL	8-98216-554-0		4	●	●			
480	022	WHEEL: DISC, AL	8-98218-158-0		4			●	●	
603	001	GRILLE: RAD	8-98196-514-1		1	●	●	●	●	PRIMER
603	003	CLIP: GRILLE	8-98211-687-0		3	●	●	●	●	
603	009	SCREW: RAD GRILLE	8-98193-872-0		12	●	●	●	●	
603	178	GRILLE: INNER, RAD	8-98193-871-0		1	●	●	●	●	
620	102	STEP: BODY SIDE	8-97423-995-4	L	1	●	●	●	●	for body color is 523 (Cosmic Black Mica)
620	102	STEP: BODY SIDE	8-97423-996-4	R	1	●	●	●	●	for body color is 523 (Cosmic Black Mica)
620	102	STEP: BODY SIDE	8-98101-321-4	L	1	●	●	●	●	for body color is 531 (Silky White Pearl)
620	102	STEP: BODY SIDE	8-98101-322-4	R	1	●	●	●	●	for body color is 531 (Silky White Pearl)
635	006	TRIM: DOOR, UPR	8-97425-716-1	L	1	●	●	●	●	
635	051	WEATHERSTRIP: FRONT DOOR	8-98109-545-3	L	1	●	●	●	●	
635	083	CLIP: DOOR TRIM	8-98160-729-0	L	8	●	●	●	●	
635	083	CLIP: DOOR TRIM	8-98166-326-0	L	1	●	●	●	●	
635	231	COVER: HOLDER, BOLT	8-97416-610-0	L	1	●	●	●	●	
635	006	TRIM: DOOR, UPR	8-97425-717-1	R	1	●	●	●	●	
635	051	WEATHERSTRIP: FRONT DOOR	8-98109-544-3	R	1	●	●	●	●	
635	083	CLIP: DOOR TRIM	8-98160-729-0	R	8	●	●	●	●	
635	083	CLIP: DOOR TRIM	8-98166-326-0	R	1	●	●	●	●	
635	231	COVER: HOLDER, BOLT	8-97416-610-0	R	1	●	●	●	●	
643	039	COVER: TRIM, CENTER PILLAR	8-97423-935-2	L	1	●	●	●	●	
643	052	COVER: TRIM, FRT PILLAR	8-97423-945-2	L	1	●	●	●	●	
643	078	CLIP: TRIM PAD, SIDE PANEL	8-97351-983-0	L	2	●	●	●	●	
643	039	COVER: TRIM, CENTER PILLAR	8-97423-936-2	R	1	●	●	●	●	
643	052	COVER: TRIM, FRT PILLAR	8-97423-925-2	R	1	●	●	●	●	
643	078	CLIP: TRIM PAD, SIDE PANEL	8-97351-983-0	R	2	●	●	●	●	
655	001	PAD: TRIM, RR DOOR	8-97423-976-4	L	1	●	●	●	●	
655	003	WEATHERSTRIP: RR DOOR	8-98109-547-2	L	1	●	●	●	●	
655	006	CLIP: DOOR PAD	8-98160-729-0	L	7	●	●	●	●	
655	094	COVER: HOLDER, BOLT	8-97416-610-0	L	1	●	●	●	●	
655	001	PAD: TRIM, RR DOOR	8-97423-975-4	R	1	●	●	●	●	
655	003	WEATHERSTRIP: RR DOOR	8-98109-546-2	R	1	●	●	●	●	
655	006	CLIP: DOOR PAD	8-98160-729-0	R	7	●	●	●	●	
655	094	COVER: HOLDER, BOLT	8-97416-610-0	R	1	●	●	●	●	
666	001	LINING: HD	8-97429-473-5		1	●	●	●	●	
675	176	RETAINER: CARPET	8-97416-667-0		2	●	●	●	●	

RT70 GCC GT-Series Part List for AAS 3rd & 4th order

FIG	KEY	NAME	Service P/NO	LR	Q'ty	2WD HR Crew		4WD Crew		Remark
						M/T	A/T	M/T	A/T	
701	004	EMBLEM: RAD GRILLE	8-98214-587-0		1	●	●	●	●	
701	056	DECAL: BODY SIDE	8-97421-196-1		2			●	●	
740	731	GRILLE: VENTILATOR	8-97423-920-4	R	1	●	●	●	●	
740	731	GRILLE: VENTILATOR	8-97423-921-4	L	1	●	●	●	●	
743	023	SUN VISOR	8-97429-206-3	R	1	●	●	●	●	
743	023	SUN VISOR	8-97429-208-2	L	1	●	●			
743	023	SUN VISOR	8-97429-209-2	L	1			●	●	
743	059	COVER: ASSIST GRIP	8-97423-934-0		2	●	●	●	●	
743	090	GRIP: ASSIST, ROOF	8-97423-931-3		1	●	●	●	●	(B)
743	090	GRIP: ASSIST, ROOF	8-97423-931-3		2	●	●	●	●	(A)
743	090	GRIP: ASSIST, ROOF	8-97423-932-1	R	1	●	●	●	●	(B)
743	090	GRIP: ASSIST, ROOF	8-97423-933-1	L	1	●	●	●	●	(B)
743	348	RETAINER: SUNSHADE	8-97423-949-0		2	●	●	●	●	
743	349	CLIP: RETAINER SUNSHADE	8-98039-903-0		2	●	●	●	●	
745	016	KNOB ASM	8-97423-947-0		1	●	●	●	●	
745	050	CLIP: CONSOLE	8-98192-891-0		2	●	●	●	●	
745	074	BULB: CONSOLE	8-94124-595-0		2	●	●	●	●	
745	217	CONSOLE: HEADER	8-97423-928-5		1	●	●	●	●	
745	237	LENS: HEADER CONSOLE	8-98192-893-0		1	●	●	●	●	(A)
745	237	LENS: HEADER CONSOLE	8-98192-894-0		1	●	●	●	●	(B)
745	249	COVER	8-97423-942-2		1	●		●		(A)
745	249	COVER	8-97423-944-1		1		●		●	(B)
745	372	HARNESS ASM: SWITCH, HEADER CONSOLE	8-98192-890-0		1	●	●	●	●	

RT70 GCC GT-Series Part List for AAS 3rd & 4th order

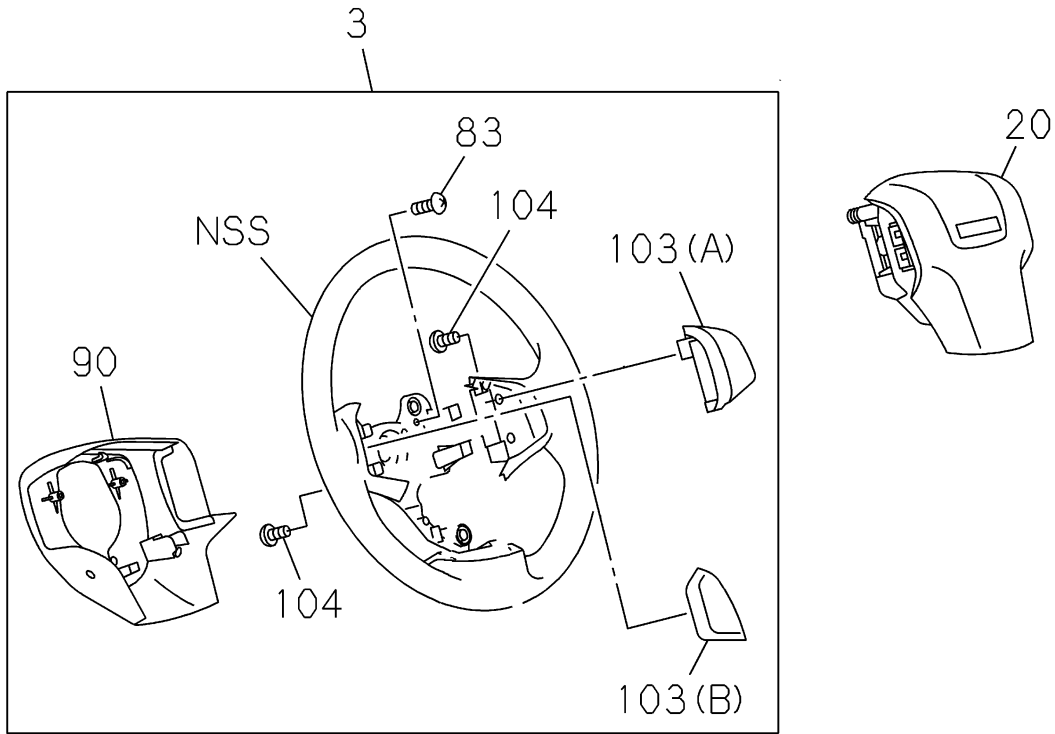
FIG	KEY	NAME	Service P/NO	LR	Q'ty	2WD HR Crew		4WD Crew		Remark
						M/T	A/T	M/T	A/T	
750	002	COVER: TRIM, FRT SEAT, BACK	8-97423-984-0	L	1	●	●	●	●	
750	003	PAD: FRT SEAT BACK	8-98187-526-0	L	1	●	●	●	●	
750	004	FRAME ASM: FRT SEAT	8-98187-534-0	L	1	●	●	●	●	
750	011	WIRE: SEAT BACK	8-98220-094-0	L	1	●	●	●	●	
750	013	COVER: TRIM, FRT SEAT, CUSHION	8-97423-985-0	L	1	●	●	●	●	
750	014	PAD: FRT SEAT CUSHION	8-98187-560-0	L	1	●	●	●	●	
750	015	FRAME: CUSHION, FRT SEAT	8-98187-568-1	L	1	●	●	●	●	
750	017	BOLT: RECLINING	8-98220-045-0	L	4	●	●	●	●	
750	018	COVER: RECLINING	8-97424-092-0	L	1	●	●	●	●	(A)
750	018	COVER: RECLINING	8-97424-515-0	L	1	●	●	●	●	(D)
750	018	COVER: RECLINING	8-97424-516-0	L	1	●	●	●	●	(C)
750	018	COVER: RECLINING	8-97424-517-0	L	1	●	●	●	●	(B)
750	024	KNOB: RECLINING, FRT, SEAT	8-97424-518-0	L	1	●	●	●	●	(A)
750	027	REST: HD, FRT SEAT	8-97424-645-0	L	1	●	●	●	●	
750	028	HOLDER: GUIDE, HD REST	8-97424-499-0	L	1	●	●	●	●	
750	028	HOLDER: GUIDE, HD REST	8-97424-500-0	L	1	●	●	●	●	
750	063	ADJUSTER: SEAT SLIDE	8-98220-096-0	L	1	●	●	●	●	
750	063	ADJUSTER: SEAT SLIDE	8-98220-097-0	L	1	●	●	●	●	
750	078	RING: SNAP	8-98220-068-0	L	7	●	●	●	●	
750	078	RING: SNAP	8-98220-068-0	L	10	●	●	●	●	
750	123	SCREW: COVER, RECLINING	8-98220-085-0	L	2	●	●	●	●	(A)
750	123	SCREW: COVER, RECLINING	8-98220-086-0	L	3	●	●	●	●	(B)
750	239	HANDLE: SIDE SUPPORT, FRT SEAT	8-98220-104-0	L	1	●	●	●	●	
750	306	NUT: SEAT ADJ	8-98220-087-0	L	7	●	●	●	●	
750	654	HOOK: STOPPER	8-97424-637-0	L	1	●	●	●	●	
750	655	BOLT: HOOK	8-98224-171-0	L	1	●	●	●	●	
750	002	COVER: TRIM, FRT SEAT, BACK	8-97423-977-0	R	1	●	●	●	●	
750	003	PAD: FRT SEAT BACK	8-98187-525-0	R	1	●	●	●	●	
750	004	FRAME ASM: FRT SEAT	8-98187-533-0	R	1	●	●	●	●	
750	011	WIRE: SEAT BACK	8-98220-094-0	R	1	●	●	●	●	
750	013	COVER: TRIM, FRT SEAT, CUSHION	8-97423-978-0	R	1	●	●	●	●	
750	014	PAD: FRT SEAT CUSHION	8-98187-559-0	R	1	●	●	●	●	
750	015	FRAME: CUSHION, FRT SEAT	8-98187-567-2	R	1	●	●	●	●	
750	017	BOLT: RECLINING	8-98220-045-0	R	4	●	●	●	●	
750	018	COVER: RECLINING	8-97424-090-0	R	1	●	●	●	●	(A)
750	018	COVER: RECLINING	8-97424-579-0	R	1	●	●	●	●	(B)
750	018	COVER: RECLINING	8-97424-582-0	R	1	●	●	●	●	(D)
750	018	COVER: RECLINING	8-97424-585-0	R	1	●	●	●	●	(C)
750	024	KNOB: RECLINING, FRT, SEAT	8-97424-591-0	R	1	●	●	●	●	(B)
750	027	REST: HD, FRT SEAT	8-97424-645-0	R	1	●	●	●	●	
750	028	HOLDER: GUIDE, HD REST	8-97424-499-0	R	1	●	●	●	●	
750	028	HOLDER: GUIDE, HD REST	8-97424-500-0	R	1	●	●	●	●	
750	063	ADJUSTER: SEAT SLIDE	8-98224-186-1	R	1	●	●	●	●	
750	063	ADJUSTER: SEAT SLIDE	8-98224-187-1	R	1	●	●	●	●	
750	078	RING: SNAP	8-98220-068-0	R	7	●	●	●	●	
750	078	RING: SNAP	8-98220-068-0	R	10	●	●	●	●	
750	123	SCREW: COVER, RECLINING	8-98220-085-0	R	2	●	●	●	●	(A)
750	123	SCREW: COVER, RECLINING	8-98220-086-0	R	3	●	●	●	●	(B)
750	239	HANDLE: SIDE SUPPORT, FRT SEAT	8-98220-104-0	R	1	●	●	●	●	
750	306	NUT: SEAT ADJ	8-98220-087-0	R	7	●	●	●	●	

RT70 GCC GT-Series Part List for AAS 3rd & 4th order

FIG	KEY	NAME	Service P/NO	LR	Q'ty	2WD HR Crew		4WD Crew		Remark
						M/T	A/T	M/T	A/T	
755	003	COVER: TRIM, RR SEAT BACK	8-97429-470-0		1	●	●	●	●	
755	004	PAD: RR, SEAT BACK	8-98196-183-0		1	●	●	●	●	
755	005	FRAME ASM: RR SEAT BACK	8-97427-756-0		1	●	●	●	●	
755	009	COVER ASM: TRIM, RR, CUSHION	8-97423-987-0		1	●	●	●	●	
755	009	COVER ASM: TRIM, RR, CUSHION	8-97423-988-0		1	●	●	●	●	
755	010	PAD: CUSHION, RR SEAT	8-98196-198-0		1	●	●	●	●	
755	010	PAD: CUSHION, RR SEAT	8-98196-212-0		1	●	●	●	●	
755	011	FRAME ASM: CUSHION, RR SEAT	8-97427-776-0		1	●	●	●	●	
755	011	FRAME ASM: CUSHION, RR SEAT	8-97427-779-0		1	●	●	●	●	
755	017	REST: HD, RR SEAT	8-97424-691-0		2	●	●	●	●	(A)
755	017	REST: HD, RR SEAT	8-97424-692-0		1	●	●	●	●	(B)
755	029	RUBBER: RR SEAT	8-98224-609-0		2	●	●	●	●	(A)
755	029	RUBBER: RR SEAT	8-98224-621-0		4	●	●	●	●	(B)
755	100	REST: ARM, RR SEAT	8-97424-694-0		1	●	●	●	●	
755	206	BRACKET ASM: LEG, RR SEAT	8-98224-625-0		1	●	●	●	●	(A)
755	206	BRACKET ASM: LEG, RR SEAT	8-98224-695-0		1	●	●	●	●	(A)
755	206	BRACKET ASM: LEG, RR SEAT	8-98224-697-0		1	●	●	●	●	(B)
755	227	HOLDER: GUIDE, RR HD REST	8-97424-499-0		3	●	●	●	●	
755	227	HOLDER: GUIDE, RR HD REST	8-97424-500-0		3	●	●	●	●	
755	251	BUSHING: HINGE PIN	8-98224-622-0		1	●	●	●	●	(A)
755	251	BUSHING: HINGE PIN	8-98224-623-0		1	●	●	●	●	(B)
755	251	BUSHING: HINGE PIN	8-98224-624-0		2	●	●	●	●	(C)
755	276	NUT: ARM REST	8-98224-604-0		4	●	●	●	●	
755	281	SCREW	8-98224-611-0		2	●	●	●	●	(A)
755	281	SCREW	8-98233-169-0		4	●	●	●	●	(B)
755	286	COVER: HINGE	8-97424-699-0		1	●	●	●	●	(B)
755	286	COVER: HINGE	8-97424-700-0		1	●	●	●	●	(A)
755	286	COVER: HINGE	8-97424-700-0		1	●	●	●	●	(A)
755	286	COVER: HINGE	8-97424-700-0		1	●	●	●	●	(A)
755	299	BOLT: LEG	8-98224-698-0		2	●	●	●	●	
755	302	NUT: RR SEAT	8-98225-096-0		2	●	●	●	●	
755	317	RING: BACK, RR SEAT	8-98220-068-0		19	●	●	●	●	
755	317	RING: BACK, RR SEAT	8-98220-068-0		10	●	●	●	●	
755	317	RING: BACK, RR SEAT	8-98220-068-0		9	●	●	●	●	
760	003	BELT: SEAT, BUCKLE SIDE	8-97416-837-3	L	1	●	●	●	●	
760	003	BELT: SEAT, BUCKLE SIDE	8-97416-839-0	R	1	●	●	●	●	
805	001	LAMP ASM: ROOM	8-97423-972-0		1	●	●	●	●	
805	002	BULB: ROOM LAMP	8-97128-771-0		1	●	●	●	●	
805	003	LENS: ROOM LAMP	8-97333-429-0		1	●	●	●	●	

4-30 STEERING WHEEL AND COWL

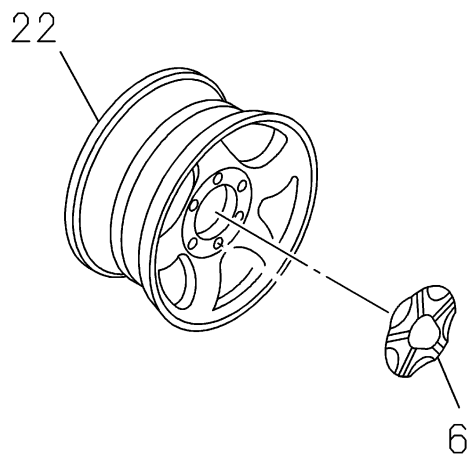
FIG-NO.



4-80 ROAD WHEEL

FIG-NO.

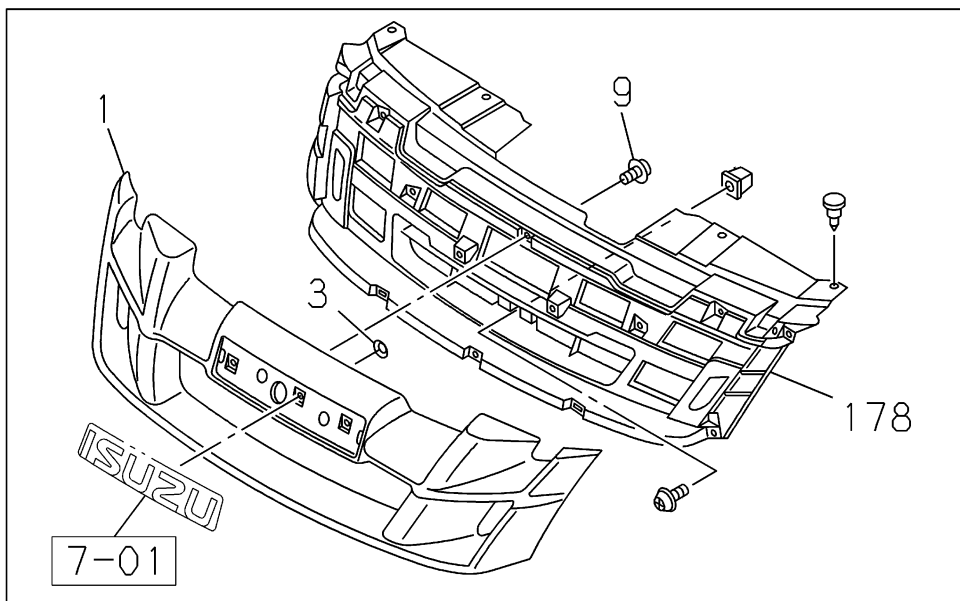
ALUMI WHEEL



6-03 RADIATOR GRILLE

FIG-NO.

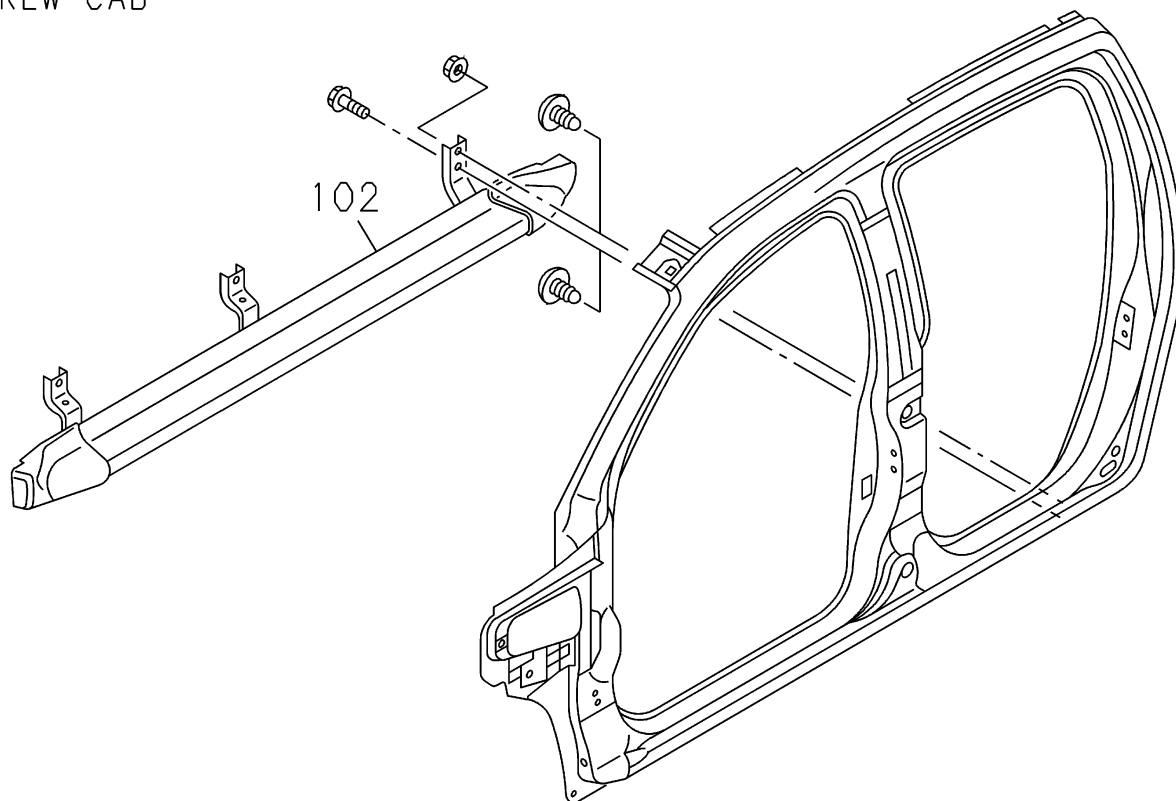
GRILLE



6-20 SIDE PANEL AND STEP

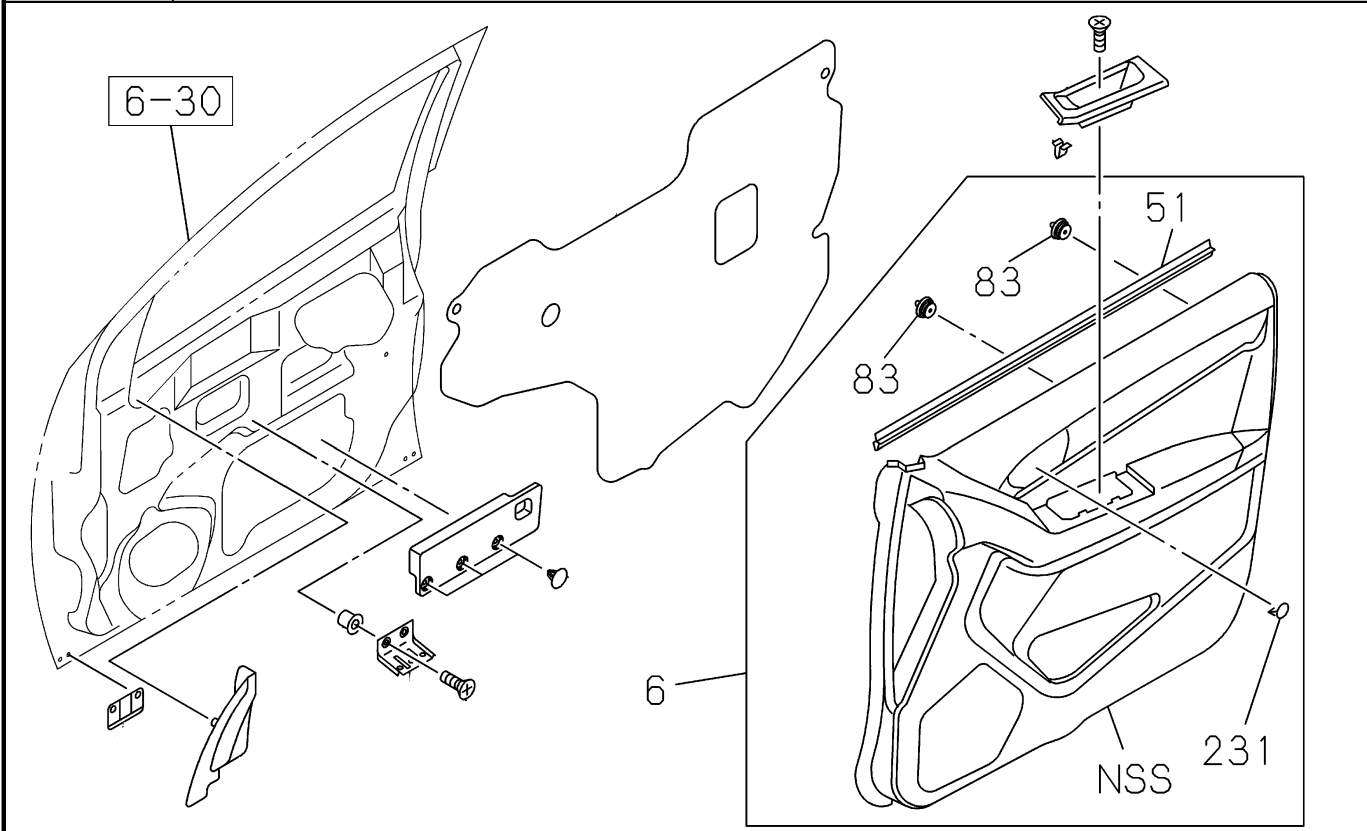
FIG-NO.

CREW CAB



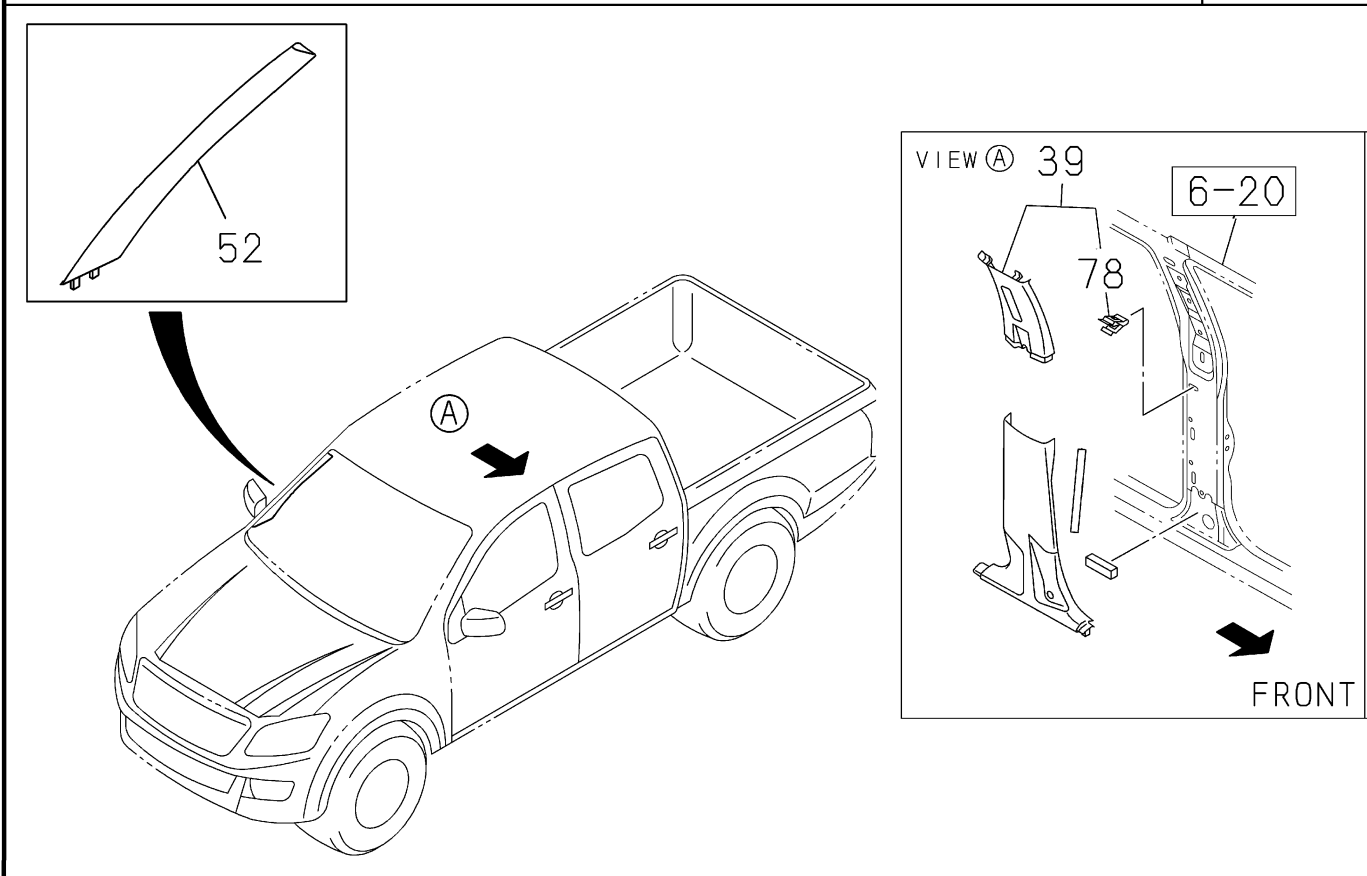
6-35 FRONT DOOR TRIM

FIG-NO. TRIM



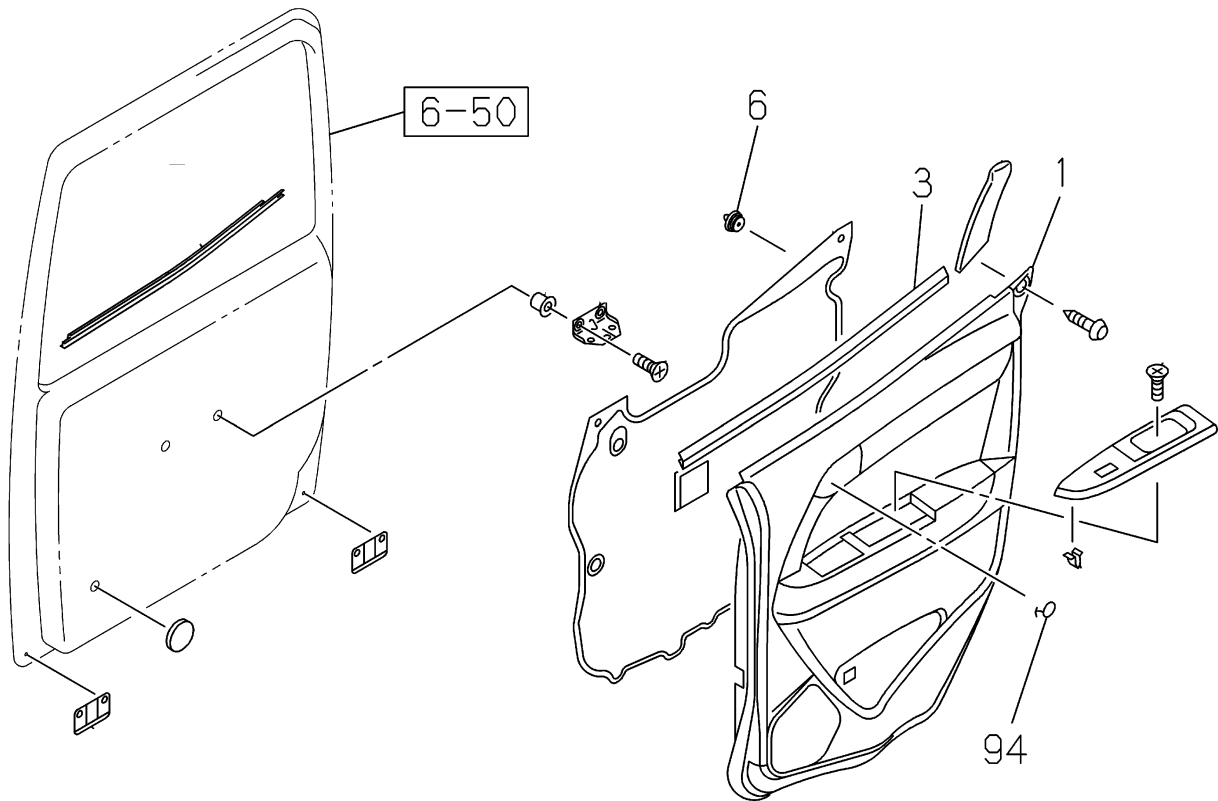
6-43 SIDE TRIM

FIG-NO. CREW CAB



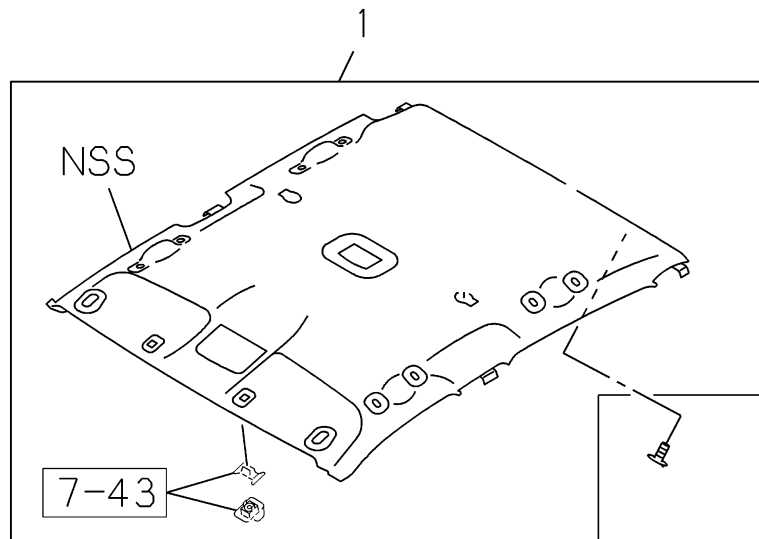
6-55 REAR DOOR TRIM

FIG-NO. TRIM; CREW CAB



6-66 HEAD LINING AND TRIM

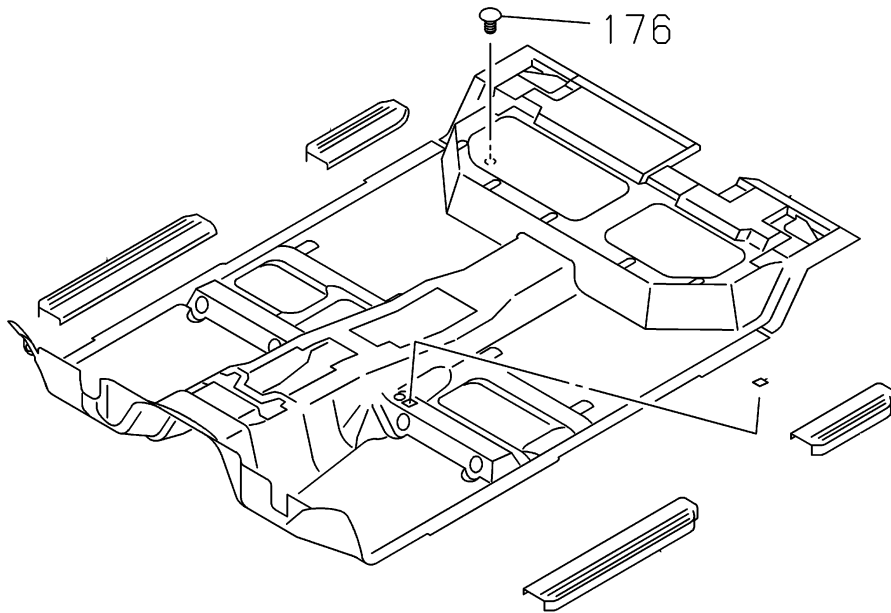
FIG-NO. HD LINING



6-75

MAT AND CARPET

FIG-NO.

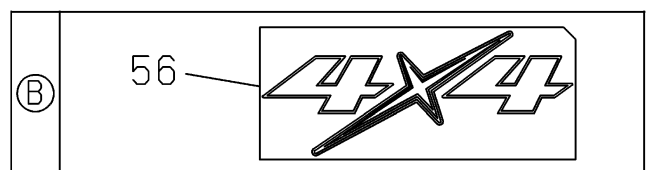
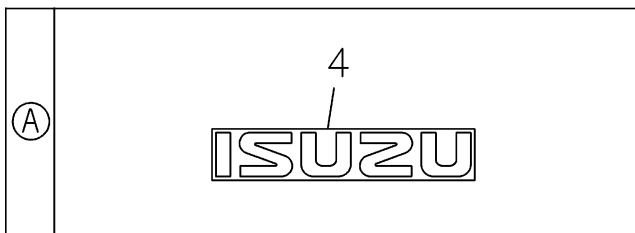
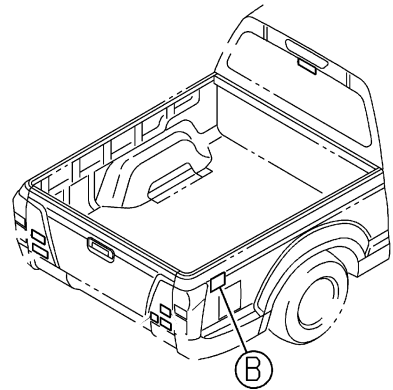
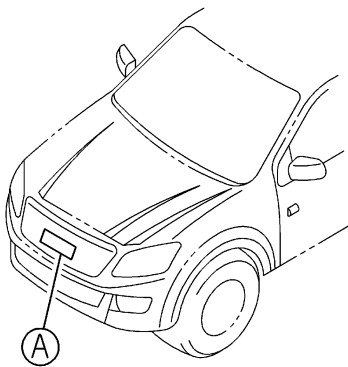


7-01

EMBLEM AND NAME PLATE

FIG-NO.

NO. 1

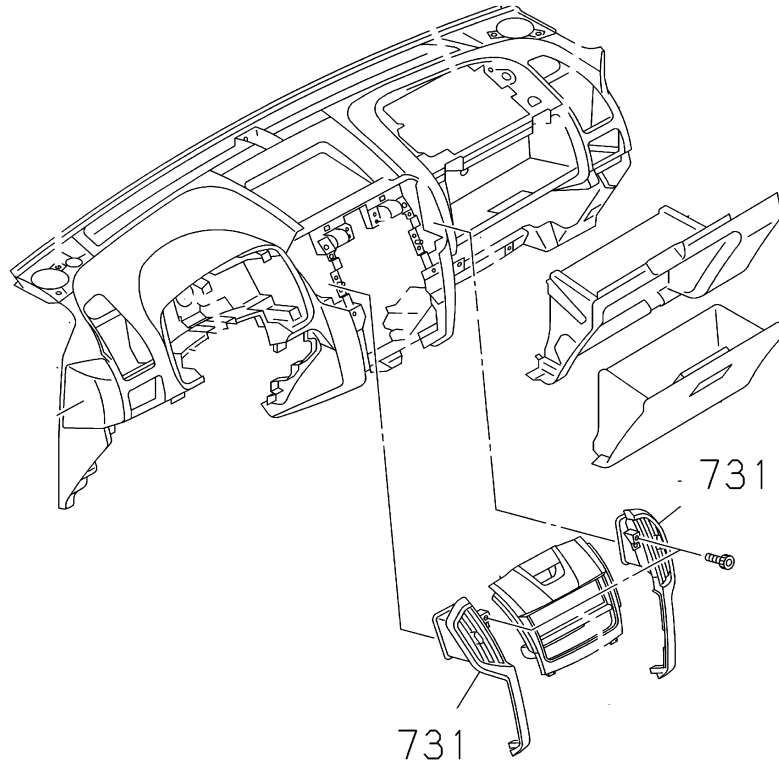


7-40

INSTRUMENT PANEL AND BOX

FIG-NO.

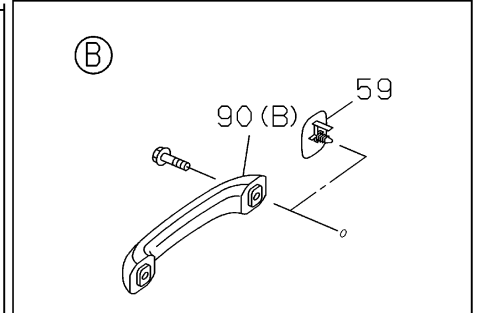
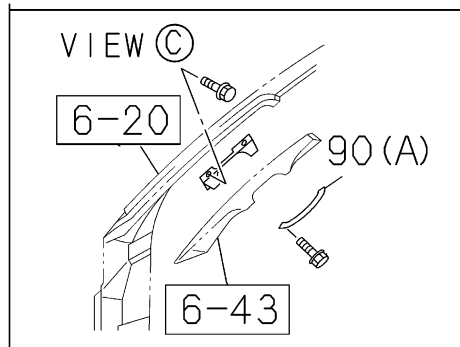
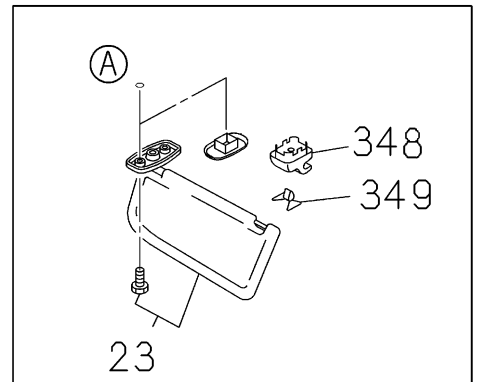
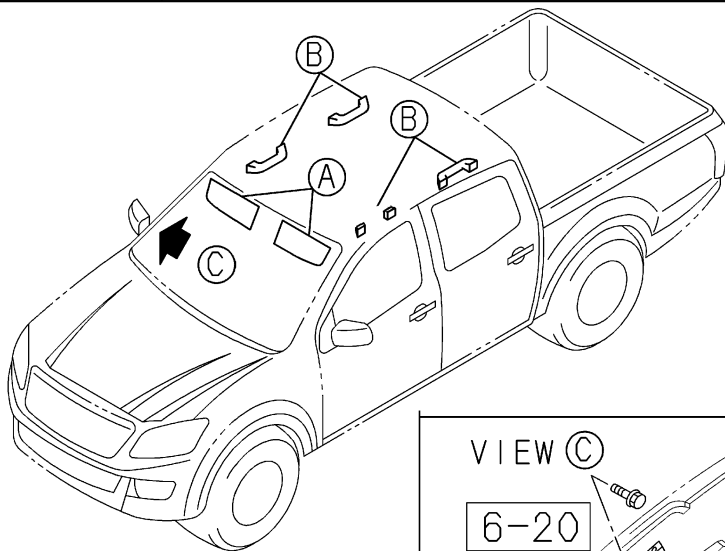
NO. 1



7-43

SUN VISOR AND ASSIST GRIP

FIG-NO.

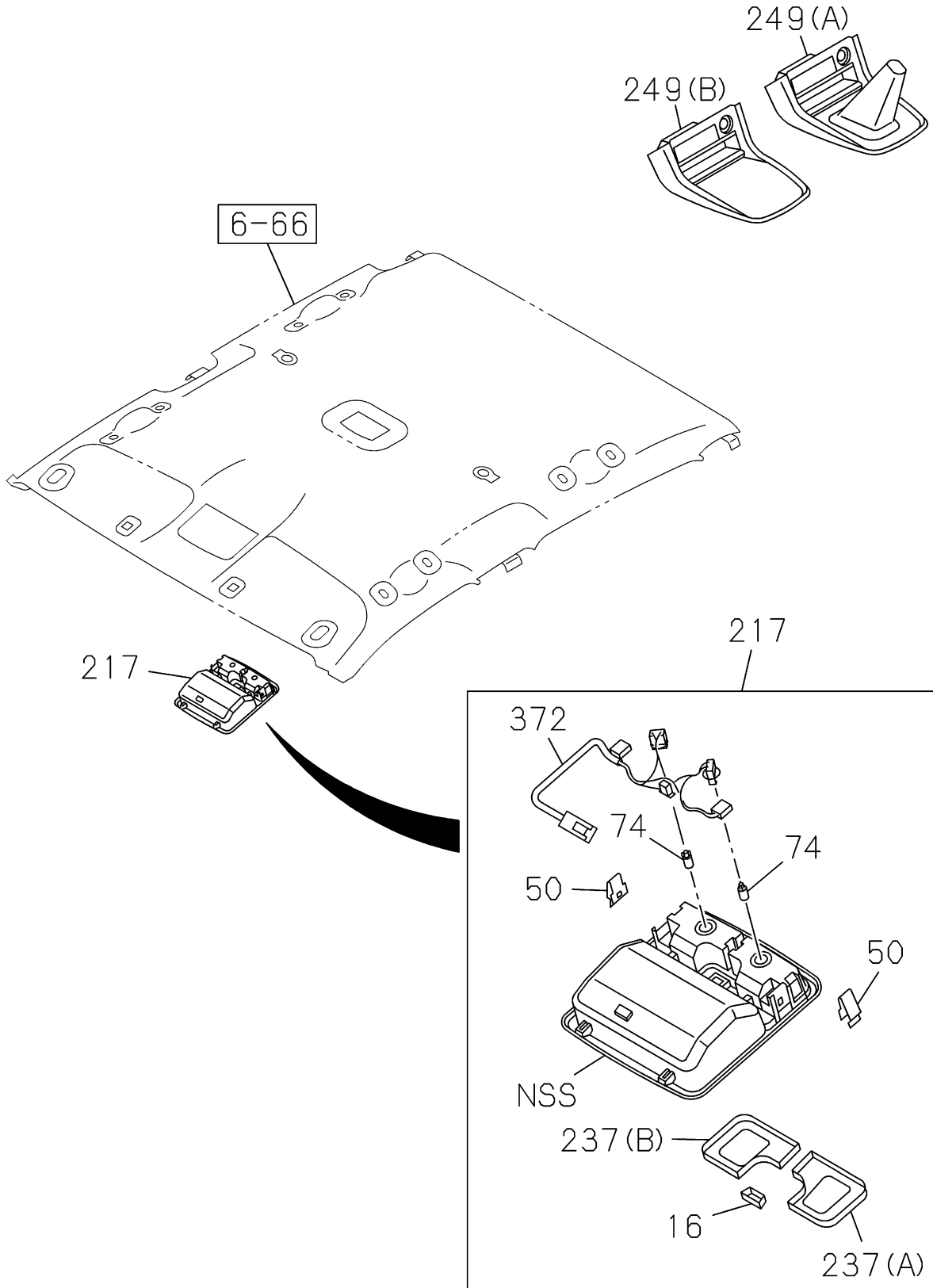


7-45

CONSOLE BOX

FIG-NO.

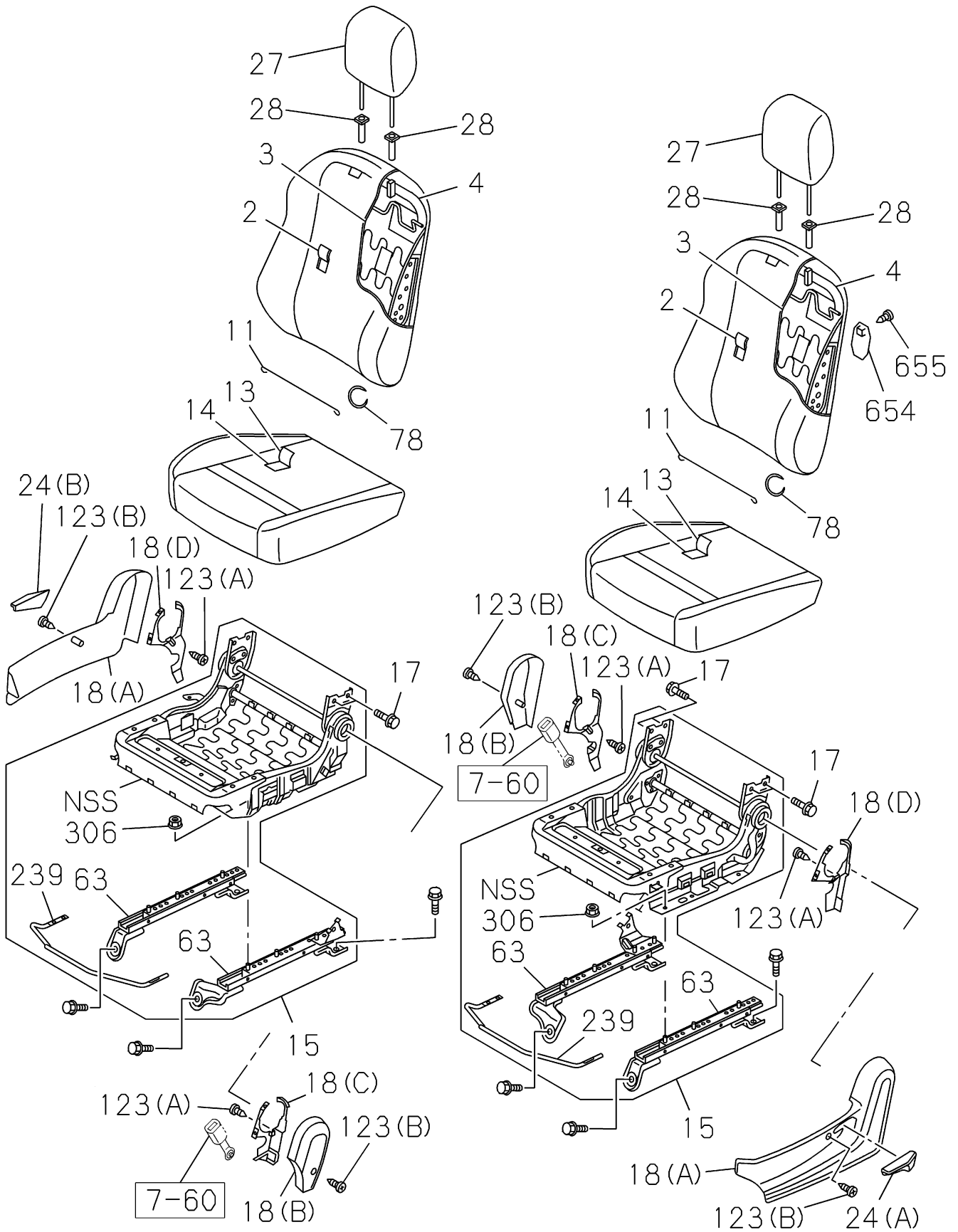
NO. 1



7-50

FRONT SEAT

FIG-NO.

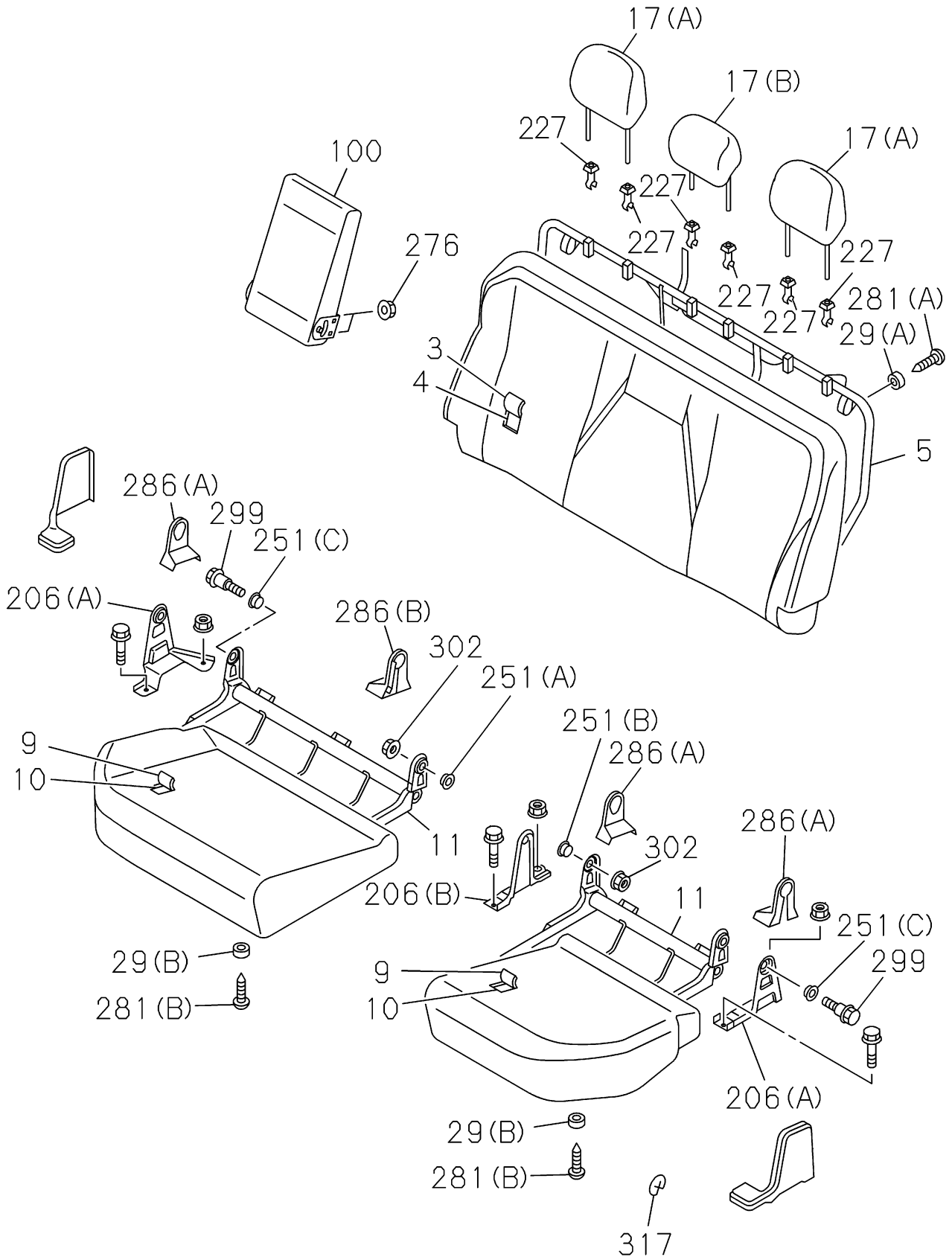


7-55

REAR SEAT

FIG-NO.

CREW CAB

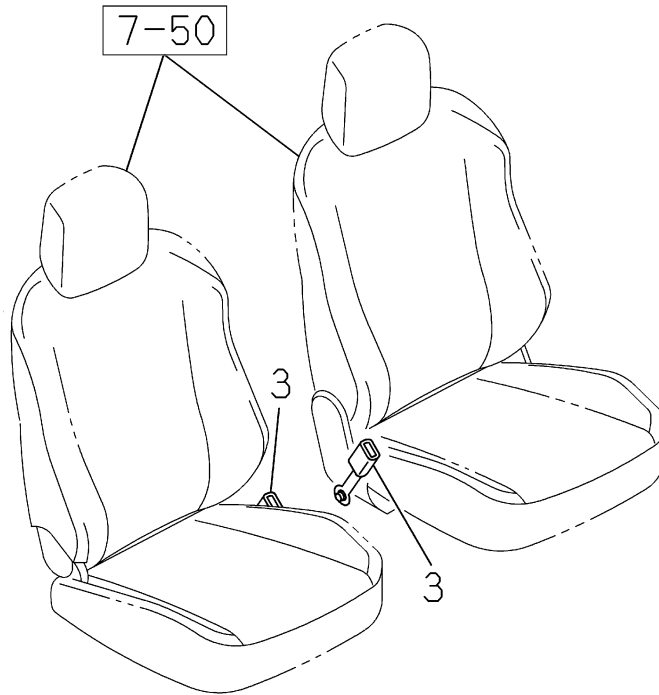


7-60

SEAT BELT

FIG-NO.

FRONT



8-05

INTERIOR LAMP

FIG-NO.

